

ANNEXURE B

SURVEY-STRATA PLAN

73577

SHEET 1 OF 2 SHEETS

PLAN OF
 LOT 606 ON DP 407296
 CERTIFICATE OF TITLE
 VOLUME: FOLIO:
 LOCAL GOVERNMENT
 CITY OF GOSNELLS
 FIELD RECORD
 134280

NAME OF SCHEME
 144 BICKLEY ROAD,
 BECKENHAM

ADDRESS OF PARCEL
 144 BICKLEY ROAD,
 BECKENHAM 6107

MANAGEMENT STATEMENT NO

SURVEYOR'S CERTIFICATE - Reg 54
 I, **Stephen James BURNSIDE**
 hereby certify that this plan is accurate and is a
 correct representation of the -
 (a) survey; and
 (b) calculations from measurements recorded
 in the field records,
 undertaken for the purposes of this plan and that it
 complies with the relevant written law(s) in relation to
 which it is lodged.

LICENSED SURVEYOR DATE

LODGED

DATE FEE PAID ASSESS No.

EXAMINED

DATE

WESTERN AUSTRALIAN PLANNING COMMISSION
 W.A.P.C. REF: 50 - 15 & 159 - 16
 Certificate of Approval of W.A.P.C. under Section 25B(2) of
Strata Titles Act 1985

Delegated under S.16 P&D Act 2005 DATE

PLAN APPROVED

INSPECTOR OF PLANS AND SURVEYS
 (S.18 Licensed Surveyors Act 1909) DATE

IN ORDER FOR DEALINGS
 SUBJECT TO

FOR REGISTRAR OF TITLES DATE

REGISTERED

APPLICATION

DATE REGISTRAR OF TITLES SEAL

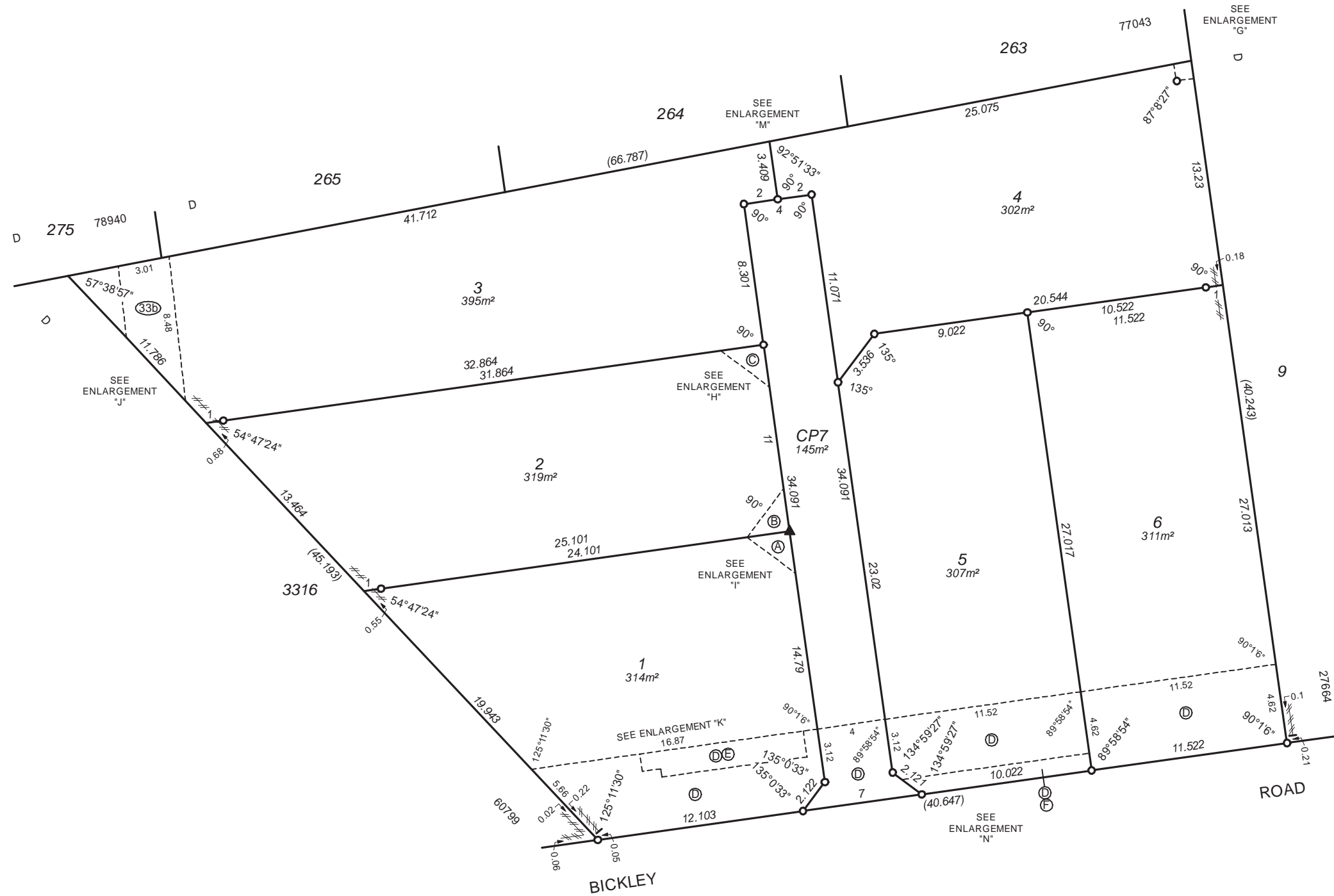


COTTAGE & ENGINEERING SURVEYS
 87-89 Guthrie Street, Osborne Park, Western Australia
 Telephone: (08) 9446 7361
 Email: subdivisions@cottage.com.au
 J/N T360264A E2 (15/04/2016)

BEWARE
 UNAPPROVED & UNLODGED PLAN:
 ALL LOT NUMBERS, DIMENSIONS
 & AREAS SUBJECT TO
LANDGATE (Titles Office) APPROVAL

FOR INTERESTS AND NOTIFICATIONS,
 ENLARGEMENTS & CROSS SECTION SEE SHEET 2

VER.	AMENDMENT	AUTHORISED BY	DATE



- DENOTES PEG
- ▲ DENOTES DRILL HOLE IN STORM WATER LID



SCALE 1:200 AT A2

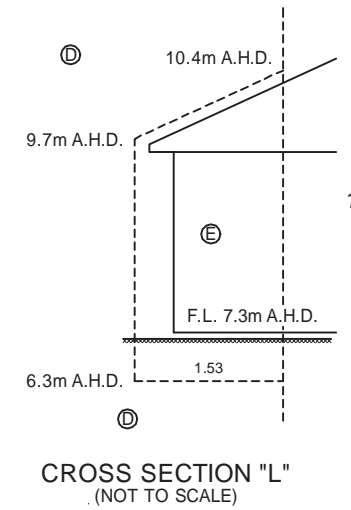
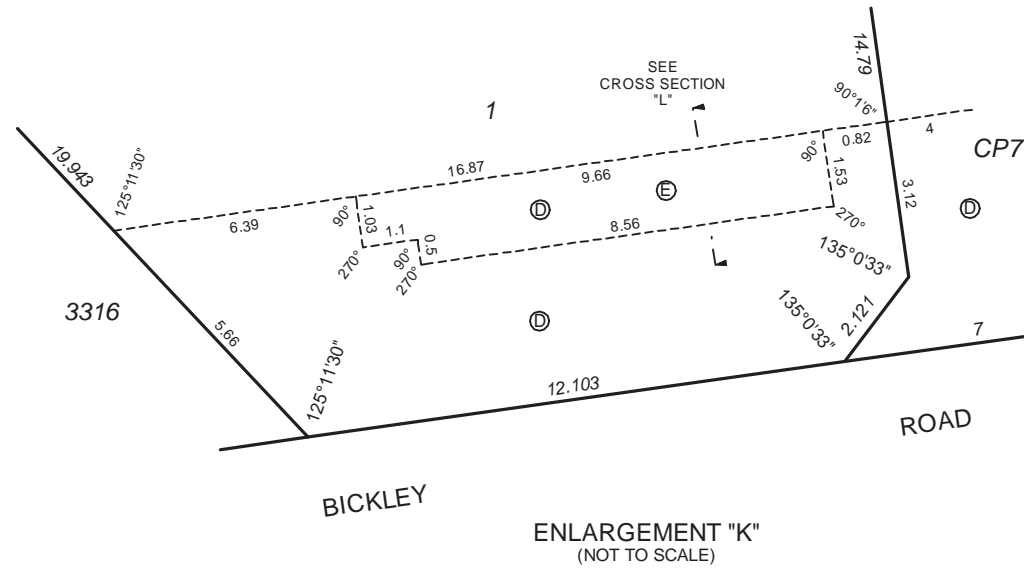
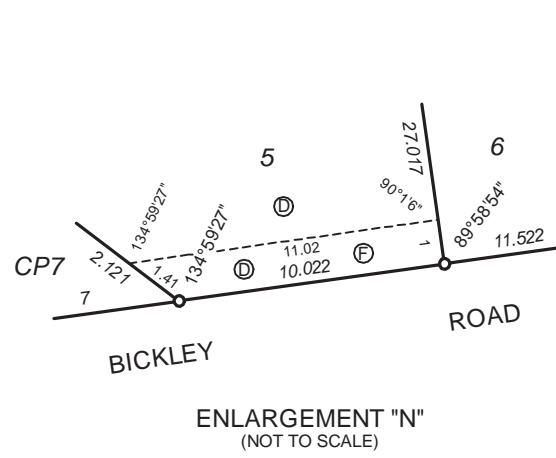
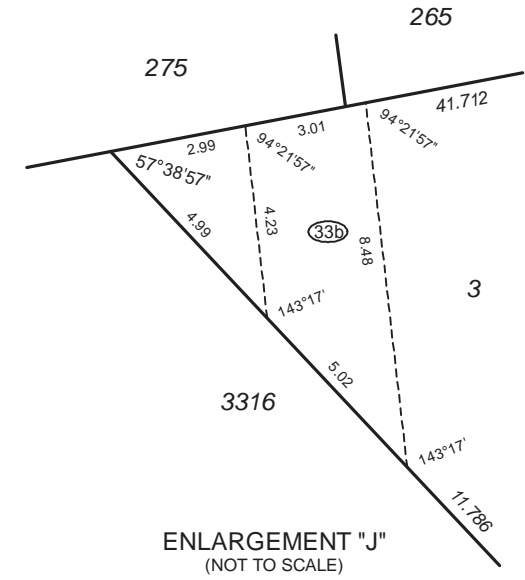
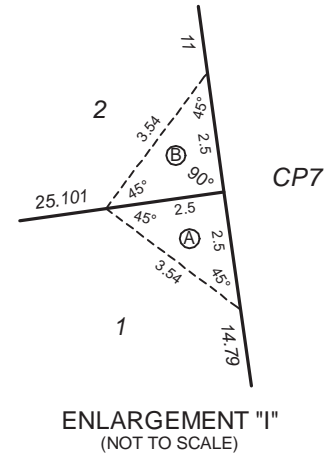
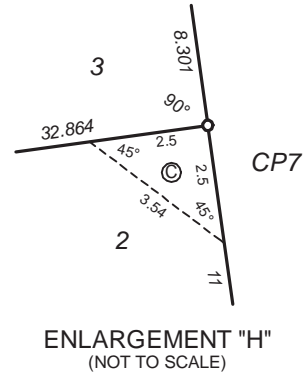
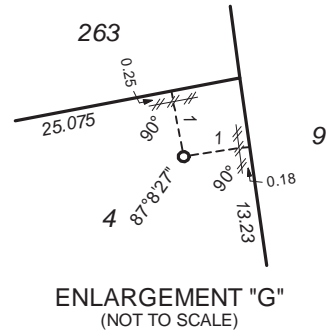
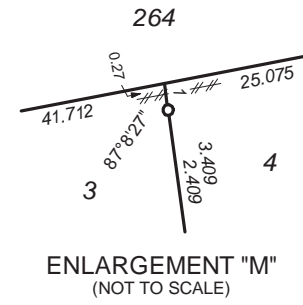


SURVEY-STRATA PLAN

73577

SHEET 2 OF 2 SHEETS

BEWARE
UNAPPROVED & UNLODGED PLAN:
ALL LOT NUMBERS, DIMENSIONS
& AREAS SUBJECT TO
LANDGATE (Titles Office) APPROVAL



A.H.D. LEVELS BASED ON BENCHMARK P 71
USING DATA SUPPLIED BY GEODETIC SECTION LANDGATE

INTERESTS AND NOTIFICATIONS

SUBJECT	PURPOSE	STATUTORY REFERENCE	ORIGIN	LAND BURDENED	BENEFIT TO	COMMENTS
ⓓ & ⓔ	EASEMENT	ENERGY OPERATORS (POWERS) ACT 1979	DOC	SURVEY-STRATA LOT 1	ELECTRICITY NETWORKS CORPORATION	ⓔ PERMITTED BUILDING INTRUSION
ⓓ	EASEMENT	ENERGY OPERATORS (POWERS) ACT 1979	DOC	SURVEY-STRATA LOTS 5, 6 & CP7	ELECTRICITY NETWORKS CORPORATION	
ⓓ	EASEMENT (SEWERAGE)	SEC 167 OF THE P & D ACT, REG 33(b)	DP 407296	SURVEY-STRATA LOT 3	WATER CORPORATION	
Ⓐ	RIGHT OF CARRIAGEWAY	SEC 136C OF THE TLA	THIS PLAN	SURVEY-STRATA LOT 1	SURVEY-STRATA LOT 2	
Ⓑ	RIGHT OF CARRIAGEWAY	SEC 136C OF THE TLA	THIS PLAN	SURVEY-STRATA LOT 2	SURVEY-STRATA LOT 1	
Ⓒ	RIGHT OF CARRIAGEWAY	SEC 136C OF THE TLA	THIS PLAN	SURVEY-STRATA LOT 2	SURVEY-STRATA LOT 3	
Ⓕ	EASEMENT (TRANSMISSION OF ELECTRICITY BY UNDERGROUND CABLE)	SEC 136C OF THE TLA	THIS PLAN	SURVEY-STRATA LOT 5	SURVEY-STRATA LOT 6	



COTTAGE & ENGINEERING SURVEYS
87-89 Guthrie Street, Osborne Park, Western Australia
Telephone: (08) 9446 7361
Email: subdivisions@cottage.com.au
J/N T360264B E2 (15/04/2016)
LICENSED SURVEYOR